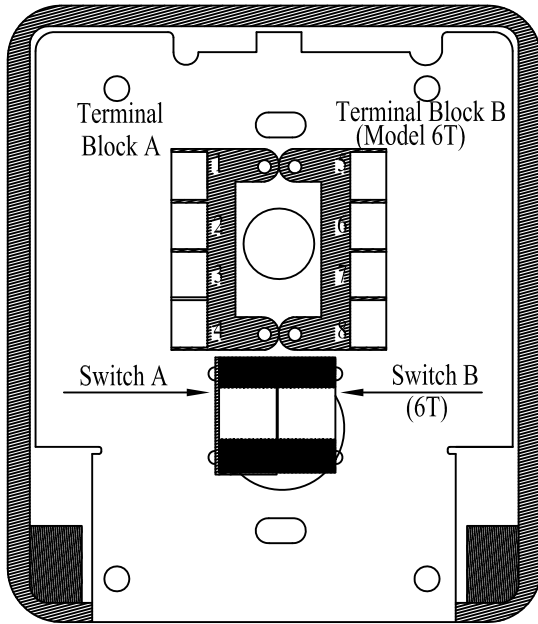
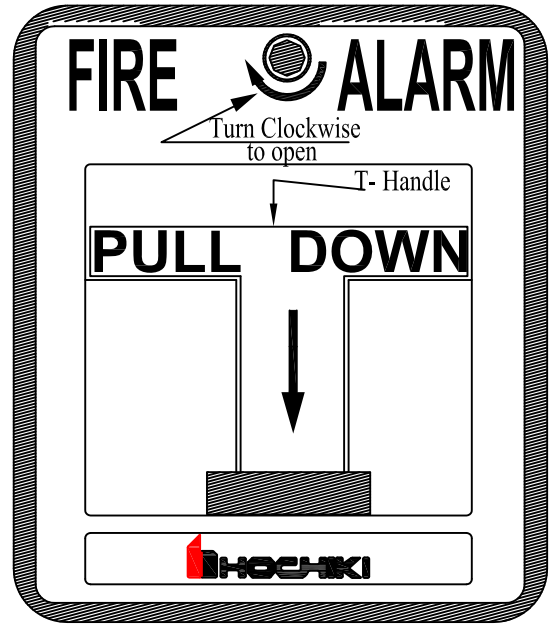


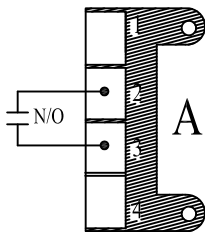
Rear View



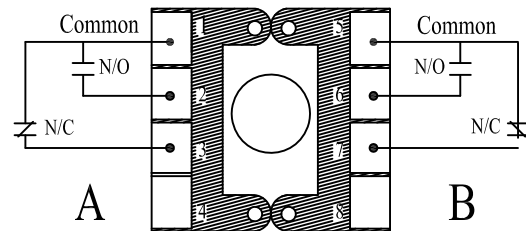
Front View



Electrical Wiring



MODEL 1T
SPST N/O



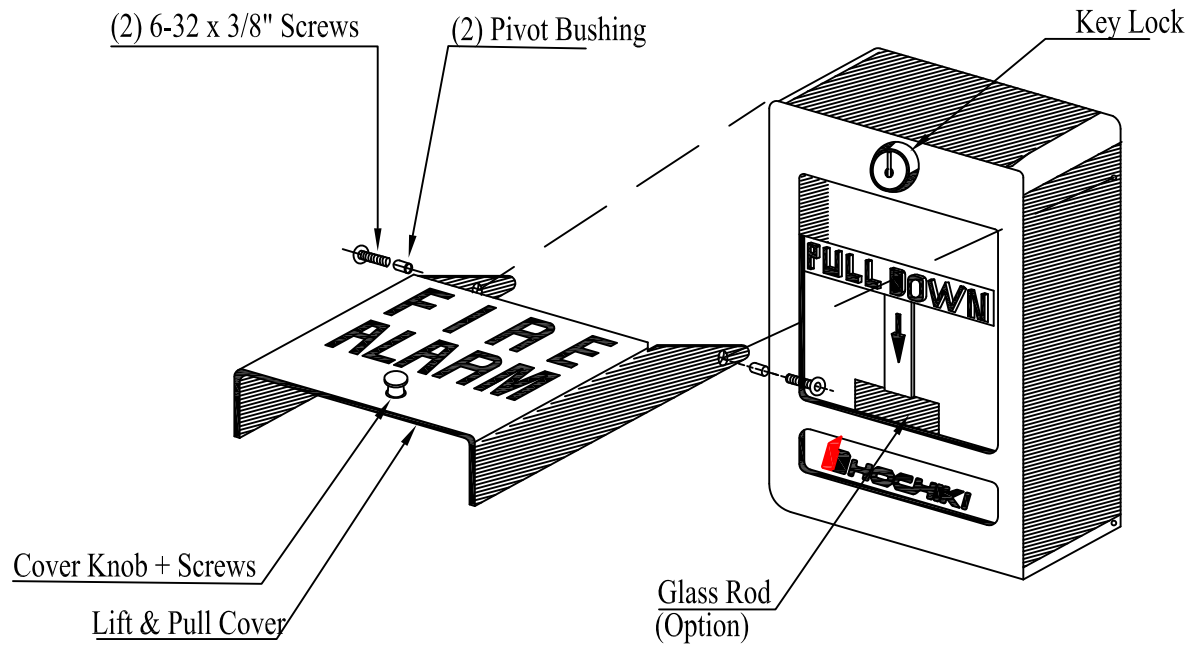
MODEL 6T
DPST N/O- N/C COM

MODEL	Terminal Block	Terminal Connecting	Switch Function	LED	Terminal Connections Switch	Terminal Connections Phone Jack	Contact Rating
1T	A	2 & 3	SPST	1(+) & 4 (-)	1 & 4	1 & 4	10 amps @125vac
6T	A & B	1,2,3,5,6,7	DPDT	4(+) & 8 (-)	4 & 8	4 & 8	10 amps @125vac

Phone Jack: 1/4 • Key Switch: 3Amps@125Vac • Led: T1-3/4@24Vdc Note: all contact ratings shown apply to closed station

Mounting Instruction on Reverse Side

Installation and Service



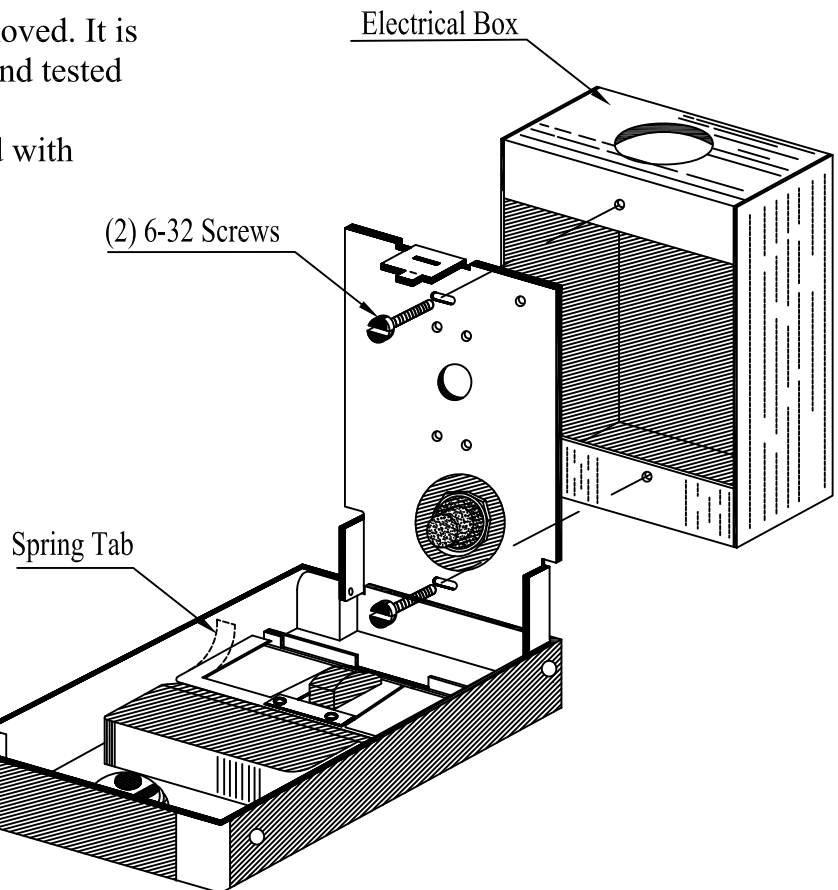
Installers Note:

The stations are supplied with glass rod removed. It is recommended that the station be activated and tested prior to installation of the glass rod.

- Glass Rods and Hardware are shipped with station in box.

Replacement of Glass Rod:

If broken, remove debris, then reset T-Handle to Normal Position. Insert one end of new Glass Rod under Spring Tab, then with one finger, lift other end of Spring Tab allowing Glass Rod to slip into place.



To Close Station:

If hex Screw Model, simply push station closed. If Key Lock Model, hold station closed then turn key counterclockwise.

Wiring Instructions on Reverse Side

DWG # HA-06-115
6/03 Pg. 2 of 2
PART# 1700-10210